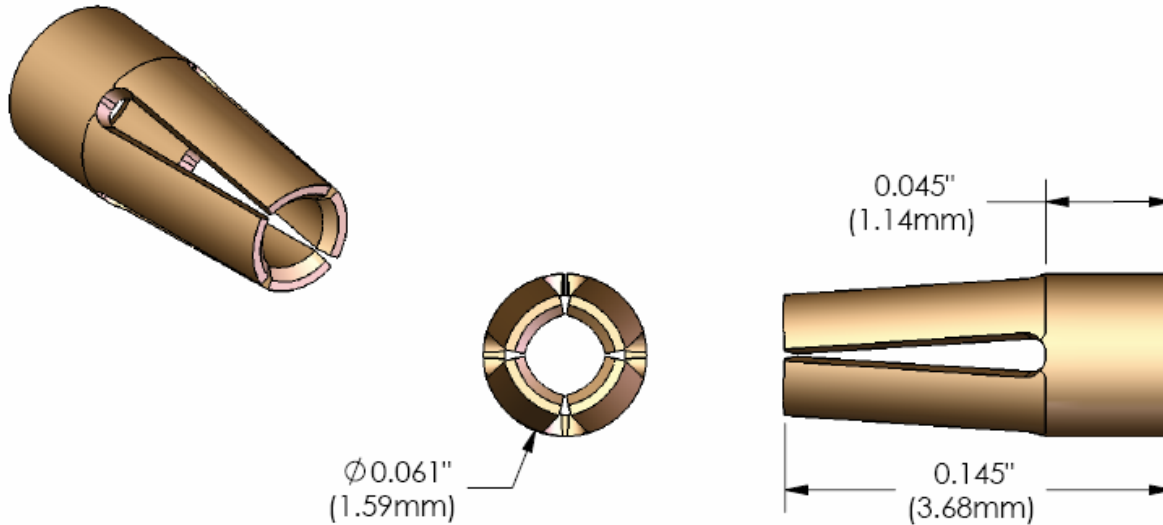


# 190 SERIES

## FOUR FINGER CONTACT CLIPS



### TECHNICAL PRODUCT DATA

WEISS-AUG PART NUMBER	CLIP TYPE	TEST PIN DIAMETER	OPERATING RANGE PIN DIAMETER	MAXIMUM INSERTION FORCE	MINIMUM WITHDRAWAL FORCE	MATERIAL
<a href="#">1-2-3001-19001</a>	190L	0.032" (0.81mm)	0.027" - 0.036" (0.69mm - 0.91mm)	90g	25g	C17200
<a href="#">1-2-3001-19003</a>	190	0.032" (0.81mm)	0.027" - 0.036" (0.69mm - 0.91mm)	300g	85g	C17200

**NOTES:**

1. ALL FORCE DATA RELATES TO UNPLATED CLIPS.
2. TESTS PERFORMED WITH POLISHED STEEL BULLET NOSE PINS.
3. ALL CLIPS MANUFACTURED FROM BeCu ALLOY C17200 1/2 HARD MATERIAL, HEAT TREATED POST FORMING.

SUFFIX DEFINITIONS: "L" = LOW FORCE    "SL" = SUPER LOW FORCE    "UL" = ULTRA LOW FORCE    "H" = HEAVY FORCE



**WEISS-AUG**

Precision Manufacturing by Innovative Design  
Stamping, Insert Molding and Assembly

220 Merry Lane • East Hanover, NJ 07936 • USA

T. 973.887.7600 • F. 973.887.8109 • [www.weiss-aug.com](http://www.weiss-aug.com)

ISO9002



QS9000

**QUALITY IS OUR BUSINESS**

