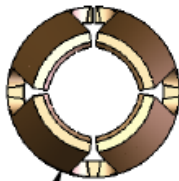
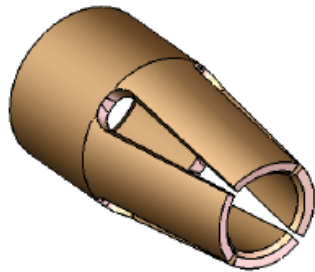
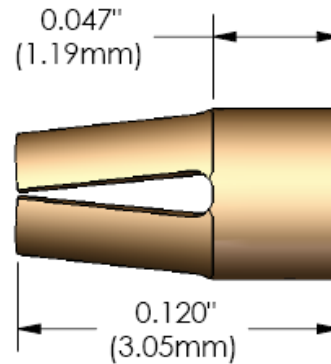


# 140 SERIES

## FOUR FINGER CONTACT CLIPS



$\phi 0.064''$   
(1.63mm)



### TECHNICAL PRODUCT DATA

WEISS-AUG PART NUMBER	CLIP TYPE	TEST PIN DIAMETER	OPERATING RANGE PIN DIAMETER	MAXIMUM INSERTION FORCE	MINIMUM WITHDRAWAL FORCE	MATERIAL
1-2-3001-14001	140	0.039" (0.99mm)	0.032" - 0.046" (0.81mm - 1.17mm)	420g	140g	C17200

**NOTES:**

1. ALL FORCE DATA RELATES TO UNPLATED CLIPS.
2. TESTS PERFORMED WITH POLISHED STEEL BULLET NOSE PINS.
3. ALL CLIPS MANUFACTURED FROM BeCu ALLOY C17200 1/2 HARD MATERIAL, HEAT TREATED POST FORMING.

SUFFIX DEFINITIONS: "L" = LOW FORCE    "SL" = SUPER LOW FORCE    "UL" = ULTRA LOW FORCE    "H" = HEAVY FORCE



### WEISS-AUG

Precision Manufacturing by Innovative Design  
Stamping, Insert Molding and Assembly

220 Merry Lane • East Hanover, NJ 07936 • USA

T. 973.887.7600 • F. 973.887.8109 • www.weiss-aug.com

ISO9002



QS9000

QUALITY IS OUR  
BUSINESS



PRECISION  
METALFORMING  
ASSOCIATION